

Data Sheet

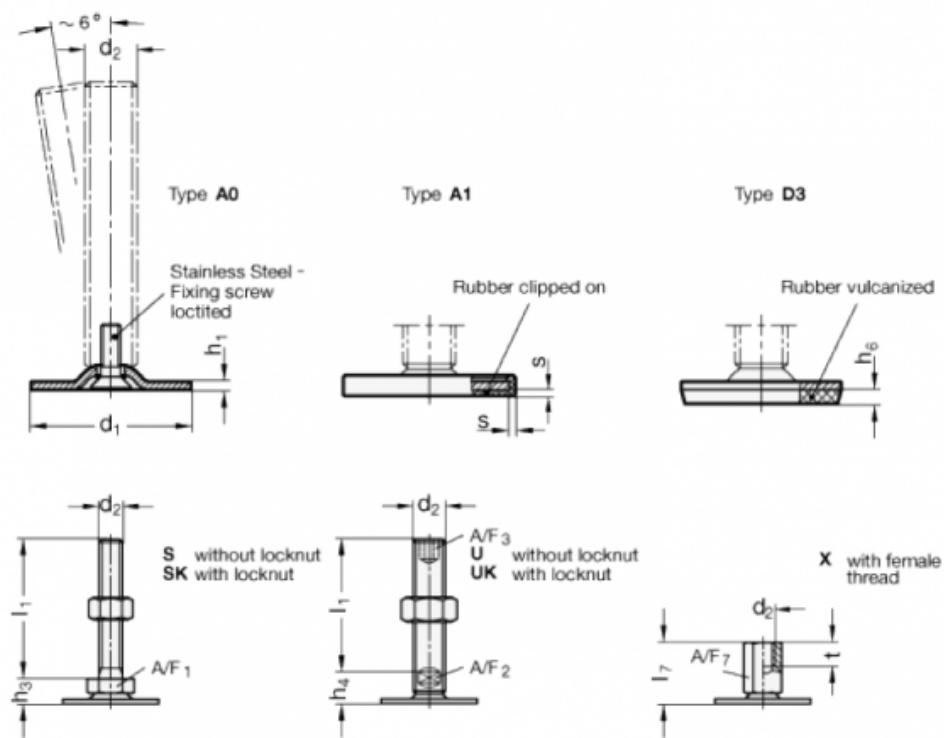


Article number: 204060M825A0X

Description: E+G levelling foot
GN 40-60-M8-25-A0-X

Note: X With female thread, External hexagon

Measures



A/F7	=	14
d1	=	60
d2	=	M8
h1	=	2.5
h6	=	
h7	=	25
s	=	
t	=	8